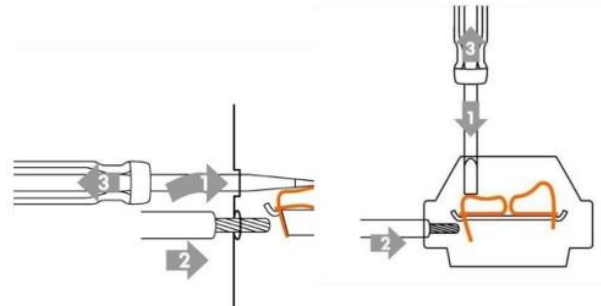


## Plug-in current transformer with screwless connection technology „Cage Clamp®“, UL certificated



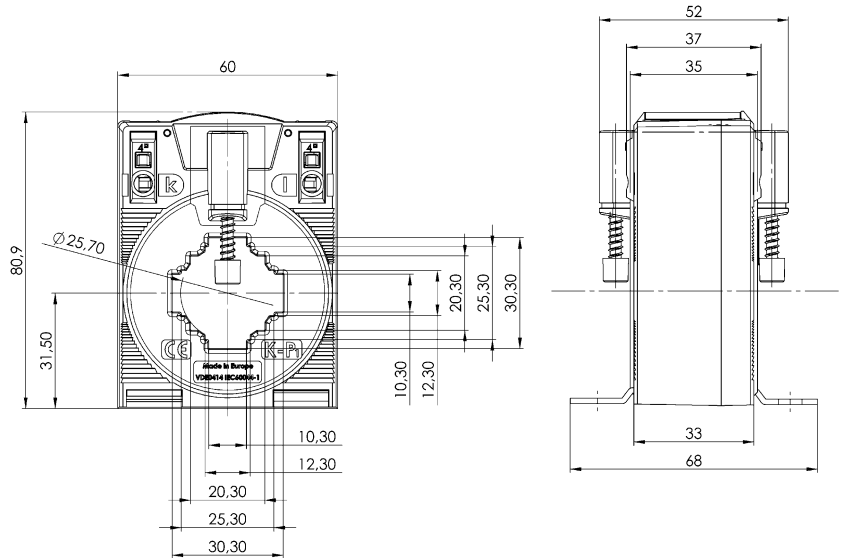
Screwless connection technology  
„Cage Clamp®“ (In front or on top)



### Further information:

- World's first CT with screwless connection technology for the secondary caps – „Cage Clamp®“
- **UL certification.** Certificate no.: 20100426-E336996
- Innovative time-saving connection of either solid or flexible terminals not exceeding 4 mm<sup>2</sup> to be fitted either on the top or bottom or in the center without ferrules.
- Vibration and shock resistant
- Maintenance free gas-tight connection
- High current carrying capacity
- Low voltage CT for maximum operating voltage to 1.2 kV. Use in 690 V networks possible
- Isolation test voltage: 6 kV, U<sub>eff.</sub>, 50 Hz, 1 min.
- **Higher isolation level 1.2/6/12 kV – Tested lightning impulse voltage for 690 V switchgear according IEC 61439-1 und -2!**
- Primary nominal current ranges from 50 A up to 2500 A
- Accuracy classes 3; 1; 0,5; 0,5S, 0,2 und 0,2S
- Can be overloaded continuously with 120 % of the primary rated current
- Suitable for nominal frequencies of 50 Hz or 60 Hz
- Over-current limiting factor: See rating plate
- Isolation class: E
- Operating temperature in the range -5°C to 50°C
- Storage temperature in the range -25°C to 70°C
- Unbreakable plastic housing of grey polycarbonate, self-extinguishing, UL94-V0 and flame resistant
- Packaging unit: 1 pc.
- Customs tariff number: 85043129

## CTB 31.35 Plug-in current transformer



### Dimension:

- Bus bar 1: 30 x 10 mm
- Bus bar 2: 25 x 12 mm
- Bus bar 3: 20 x 20 mm
- Round conductor: 25.7 mm
- Transformer width: 60 mm
- Transformer height: 80.9 mm
- Total depth: 52 mm

### General technical specifications:

- Thermal nominal continuous rated current  $I_{cth}$ :  $1.2 \times I_N$
- Thermal nominal short-time current  $I_{th}$ :  $60 \times I_N$ , 1 sec.
- Maximum operating voltage  $U_m$ : 1.2 kV,  $U_{eff}$
- Isolation test voltage: 6 kV,  $U_{eff}$ , 50 Hz, 1 Min.
- Lightning impulse voltage: 12kV, 1,2/50  $\mu$ s**
- Rated frequency: 50 / 60 Hz
- Applicable technical standards: DIN EN 61869, part 1 + 2

### Order list – secondary 5A

Secondary current		5A					
Primary current	Burden	Accuracy class					
		3	1	0.5	0.5S	0.2	0.2S
[ A ]	[ VA ]	Art.-no.	Art.-no.	Art.-no.	Art.-no.	Art.-no.	Art.-no.
50	1.25	50-0001					
60	1.25		50-0017				
75	2.5		50-0018				
80	2.5		50-0019				
100	1.5			G50-5001	G50-5024	G50-5046	
	2.5		50-0002	G50-5002	G50-5025		
125	1.5			50-2001	G50-5027	G50-5048	G50-5064
	2.5		50-0003	G50-5004	G50-5028		
150	1.5				G50-5029	G50-5049	G50-5065
	2.5			50-2002	G50-5030		
	5		50-0004				
200	1.5				G50-5031	G50-5050	G50-5066
	2.5			50-2003	G50-5032	G50-5051	
	5		50-0005	G50-5010	G50-5033		
250	2.5			G50-5011	G50-5034	G50-5052	G50-5067
	5		50-0006	50-2004	G50-5035	G50-5053	
300	5		50-0007	50-2005	G50-5037	G50-5035	G50-5067
	10		50-0008				
400	5		50-0009	50-2006	G50-5038	G50-5056	G50-5070
	10		50-0010	50-2007			
500	5		50-0011	50-2008	G50-5040	G50-5058	G50-5072
	10		50-0012	50-2009	G50-5041		
600	5		50-0013	50-2010	G50-5042	G50-5059	G50-5073
	10		50-0014	50-2011	G50-5043	G50-5060	
750	5		50-0015	50-2012	G50-5044	G50-5061	G50-5074
	10		50-0016	50-2013	G50-5045	G50-5062	G50-5075

### MBS AG

Eisbachstraße 51 · 74429 Sulzbach-Laufen  
Germany

Telefon: +49 7976 9851-0 · Telefax: +49 7976 9851-90  
E-Mail: info@mbs-ag.com · Web: www.mbs-ag.com

## Order list – secondary 1A

Secondary current		1A					
Primary current	Burden	Accuracy class					
		3	1	0.5	0.5S	0.2	0.2S
[ A ]	[ VA ]	Art.-no.	Art.-no.	Art.-no.	Art.-no.	Art.-no.	Art.-no.
50	1.25	50-0021					
60	1.25		50-0037				
75	2.5		50-0038				
80	2.5		50-0039				
100	1.5			G50-7001	G50-7024	G50-7046	
	2.5		50-0022	G50-7002	G50-7025		
125	1			G50-7003	G50-7026	G50-7047	G50-7061
	1.5			50-2021	G50-7027	G50-7048	
	2.5		50-0023	G50-7005	G50-7028		
150	1.5			G50-7006	G50-7029	G50-7049	G50-7062
	2.5			50-2022	G50-7030		
	5		50-0024				
200	1.5			G50-7008	G50-7031	G50-7050	G50-7063
	2.5			50-2023	G50-7032	G50-7051	G50-7064
	5		50-0025	G50-7010	G50-7033		
250	2.5			G50-7011	G50-7034	G50-7052	G50-7065
	5		50-0026	50-2024	G50-7035		
300	2.5				G50-7036	G50-7053	G50-7066
	5		50-0027	50-2025	G50-7037	G50-7054	
	10		50-0028				
400	5		50-0029	50-2026	G50-7038	G50-7055	G50-7067
	10		50-0030	50-2027			
500	2.5				G50-7039	G50-7056	G50-7068
	5		50-0031	50-2028	G50-7040	G50-7057	
	10		50-0032	50-2029	G50-7041		
600	5		50-0033	50-2030	G50-7042	G50-7058	G50-7069
	10		50-0034	50-2031	G50-7043		
750	5		50-0035	50-2032	G50-7044	G50-7059	G50-7070
	10		50-0036	50-2033	G50-7045	G50-7060	G50-7071

## Accessories

Quick-Fix (Art.-no.: 55021)



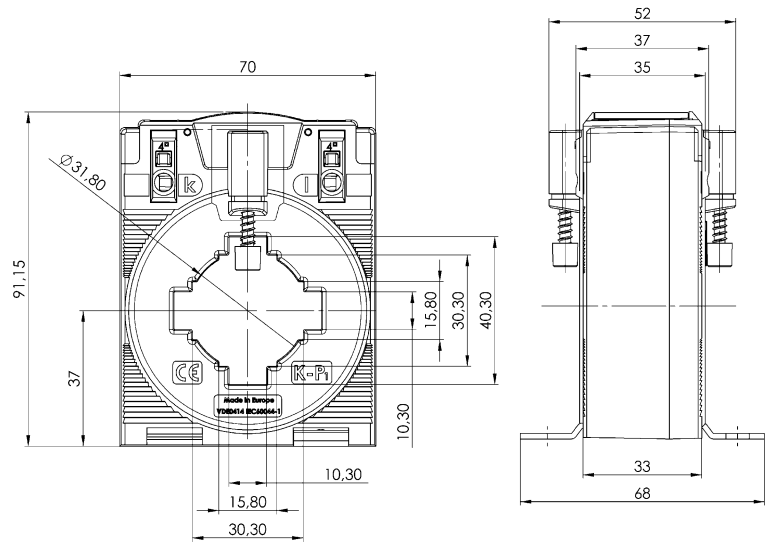
Sealed shutter (Art.-no.: 59057)



Snap-on mounting to clip the current transformer onto 35 mm DIN rail (Art.-no. 55015)



## CTB 41.35 Plug-in current transformer



### Dimension:

- Primary conductor 1: 40 x 10 mm
- Primary conductor 2: 30 x 15 mm
- Round conductor: 31.8 mm
- Transformer width: 70 mm
- Transformer height: 91.15 mm
- Total depth: 52 mm

### General technical specifications:

- Thermal nominal continuous rated current  $I_{cth}$ :  $1.2 \times I_N$
- Thermal nominal short-time current  $I_{th}$ :  $60 \times I_N$ , 1 sec.
- Maximum operating voltage  $U_m$ : 1.2 kV,  $U_{eff}$
- Isolation test voltage: 6 kV,  $U_{eff}$ , 50 Hz, 1 Min.
- Lightning impulse voltage: 12kV, 1,2/50  $\mu$ s**
- Rated frequency: 50 / 60 Hz
- Applicable technical standards: DIN EN 61869, part 1 + 2

### Order list – secondary 5A

Secondary current		5A					
Primary current	Burden	Accuracy class					
		3	1	0.5	0.5S	0.2	0.2S
[ A ]	[ VA ]	Art.-no.	Art.-no.	Art.-no.	Art.-no.	Art.-no.	Art.-no.
75	1.25	50-0050					
80	1.25	50-0051					
100	2.5	50-0052					
125	2.5		50-0053				
150	2.5		50-0054				
200	1.5			50-2050	G50-5116		
	2.5			G50-5102			
	5		50-0055				
250	2.5			50-2051	G50-5117		
	5		50-0056				
300	2.5			50-2052	G50-5118		
	5		50-0057	G50-5105			
400	5		50-0058	50-2053	G50-5119		
500	2.5			G50-5107	G50-5120	G50-5128	
	5		50-0059	50-2054	G50-5121		
	10		50-0060	G50-5109			
600	2.5			G50-5110	G50-5129	G50-5129	G50-5134
	5		50-0061	50-2055	G50-5130	G50-5130	
	10		50-0062	50-2056			
750	2.5			G50-5113	G50-5131	G50-5131	G50-5135
	5		50-0063	50-2057	G50-5132	G50-5132	G50-5136
	10		50-0064	50-2058	G50-5133	G50-5133	
800	5		50-0065	50-2059			
	10		50-0066	50-2060			
1000	5		50-0067	50-2061			
	10		50-0068	50-2062			

### MBS AG

Eisbachstraße 51 · 74429 Sulzbach-Laufen  
Germany

Telefon: +49 7976 9851-0 · Telefax: +49 7976 9851-90  
E-Mail: info@mbs-ag.com · Web: www.mbs-ag.com

## Order list – secondary 1A

Secondary current		1A					
Primary current	Burden	Accuracy class					
		3	1	0.5	0.5S	0.2	0.2S
[ A ]	[ VA ]	Art.-no.	Art.-no.	Art.-no.	Art.-no.	Art.-no.	Art.-no.
75	1.25	50-0070					
80	1.25	50-0071					
100	2.5	50-0072					
125	2.5		50-0073				
150	2.5		50-0074				
200	1.5			50-2070	G50-7115		
	2.5			G50-7102			
	5		50-0075				
250	2.5			50-2071	G50-7116		
	5		50-0076				
300	2.5			50-2072	G50-7117		
	5		50-0077	G50-7105			
400	5		50-0078	50-2073	G50-7118		
500	2.5			G50-7107	G50-7119	G50-7126	
	5		50-0079	50-2074	G50-7120		
	10		50-0080	50-2075			
600	2.5			G50-7110	G50-7121	G50-7127	
	5		50-0081	50-2076	G50-7122	G50-7128	
	10		50-0082	50-2077	G50-7123		
750	2.5			G50-7113	G50-7124	G50-7129	
	5		50-0083	50-2078	G50-7125		
	10		50-0084				
800	5		50-0085	50-2079			
	10		50-0086	50-2080			
1000	5		50-0087	50-2081			
	10		50-0088	50-2082			

## Accessories

Quick-Fix (Art.-no.: 55021)



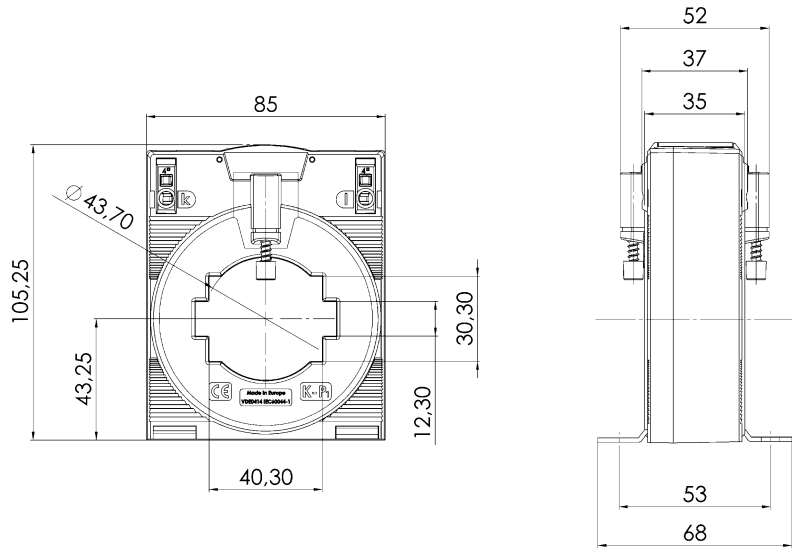
Sealed shutter (Art.-no.: 59057)



Snap-on mounting to clip the current transformer onto 35 mm DIN rail (Art.-no. 55015)



## CTB 51.35 Plug-in current transformer



### Dimension:

Primary conductor 1: 50 x 12 mm  
 Primary conductor 2: 40 x 30 mm  
 Round conductor: 43.7 mm  
 Transformer width: 85 mm  
 Transformer height: 105.25 mm  
 Total depth: 52 mm

### General technical specifications:

Thermal nominal continuous rated current  $I_{cth}$ :  $1.2 \times I_N$   
 Thermal nominal short-time current  $I_{th}$ :  $60 \times I_N$ , 1 sec.  
 Maximum operating voltage  $U_m$ : 1.2 kV,  $U_{eff}$   
 Isolation test voltage: 6 kV,  $U_{eff}$ , 50 Hz, 1 Min.

**Lightning impulse voltage: 12kV, 1,2/50  $\mu$ s**

Rated frequency: 50 / 60 Hz

Applicable technical standards: DIN EN 61869, part 1 + 2

### Order list – secondary 5A

Secondary current		5A				
Primary current	Burden	Accuracy class				
		1	0.5	0.5S	0.2	0.2S
[ A ]	[ VA ]	Art.-no.	Art.-no.	Art.-no.	Art.-no.	Art.-no.
100	1.25	50-0100				
	1.5		G50-5201	G50-5223		
125	1.5		G50-5202	G50-5224		
	2.5	50-0101				
150	2.5	50-0102	G50-5203	G50-5225		
200	1.5		50-2100	G50-5226	G50-5244	
	2.5		G50-5205	G50-5227		
	5	50-0103				
250	1.5		G50-5206	G50-5228	G50-5245	G50-5258
	2.5		50-2101	G50-5229	G50-5246	
	5	50-0104				
300	2.5		50-2102	G50-5230	G50-5247	G50-5259
	5	50-0105	G50-5209	G50-5231	G50-5248	
400	2.5		G50-5210	G50-5232	G50-5249	G50-5260
	5	50-0106	50-2103	G50-5233	G50-5250	
	10	50-0107				
500	2.5		G50-5212	G50-5234	G50-5251	G50-5261
	5	50-0108	50-2104	G50-5235	G50-5252	G50-5262
	10	50-0109	50-2105			
600	2.5		G50-5215	G50-5236	G50-5253	G50-5263
	5	50-0110	50-2106	G50-5237	G50-5254	G50-5264
	10	50-0111	50-2107	G50-5238		
750	2.5		G50-5218	G50-5239	G50-5255	G50-5265
	5	50-0112	50-2108	G50-5240	G50-5256	G50-5266
	10	50-0113	50-2109	G50-5241		
800	5	50-0114	50-2110			
	10	50-0115	50-2111			

## Order list – secondary 5A

Secondary current		5A				
Primary current	Burden	Accuracy class				
		1	0.5	0.5S	0.2	0.2S
[ A ]	[ VA ]	Art.-no.	Art.-no.	Art.-no.	Art.-no.	Art.-no.
1000	5	50-0116	50-2112	G50-5242	G50-5257	G50-5267
	10	50-0117	50-2113	G50-5243		
1200	5	50-0291	50-2114			
	10	50-0292	50-2115			
1250	5	50-0118	50-2116			
	10	50-0119	50-2117			

## Order list – secondary 1A

Secondary current		1A				
Primary current	Burden	Accuracy class				
		1	0.5	0.5S	0.2	0.2S
[ A ]	[ VA ]	Art.-no.	Art.-no.	Art.-no.	Art.-no.	Art.-no.
100	1.25	50-0120				
	1.5		G50-7201	G50-7224		
125	1.5		G50-7202	G50-7225		
	2.5	50-0121				
150	2.5	50-0122	G50-7203	G50-7226		
200	1.5		50-2120	G50-7227	G50-7246	
	2.5		G50-7205	G50-7228	G50-7247	
	5	50-0123				
250	1.5		G50-7206	G50-7229	G50-7248	G50-7260
	2.5		50-2121	G50-7230	G50-7249	
	5	50-0124	G50-7208	G50-7231		
300	2.5		50-2122	G50-7232	G50-7250	G50-7261
	5	50-0125	G50-7210	G50-7233	G50-7251	
400	2.5		G50-7211	G50-7234	G50-7252	G50-7262
	5	50-0126	50-2123	G50-7235		
	10	50-0127				
500	2.5		G50-7213	G50-7236	G50-7253	G50-7263
	5	50-0128	50-2124	G50-7237	G50-7254	G50-7264
	10	50-0129	50-2125			
600	2.5		G50-7216	G50-7238	G50-7255	G50-7265
	5	50-0130	50-2126	G50-7239	G50-7256	
	10	50-0131	50-2127	G50-7240		
750	2.5		G50-7219	G50-7241	G50-7257	G50-7266
	5	50-0132	50-2128	G50-7242	G50-7258	
	10	50-0133	50-2129	G50-7243		
800	5	50-0134	50-2130			
	10	50-0135	50-2131			
1000	5	50-0136	50-2132	G50-7244	G50-7259	G50-7267
	10	50-0137	50-2133	G50-7245		
1200	5	50-0293	50-2134			
	10	50-0294	50-2135			
1250	5	50-0138	50-2136			
	10	50-0139	50-2137			

## Accessories

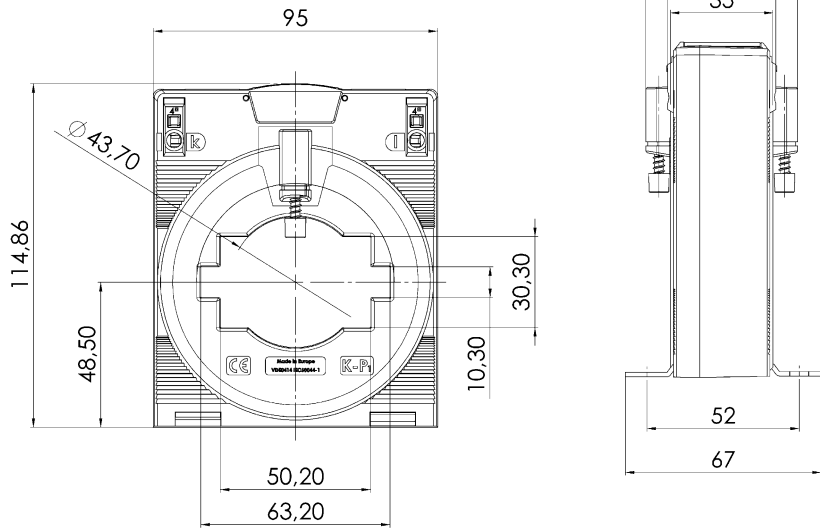
Quick-Fix (Art.-no.: 55021)



Sealed shutter (Art.-no.: 59058)



## CTB 61.35 Plug-in current transformer



### Dimension:

- Primary conductor 1: 63 x 10 mm
- Primary conductor 2: 50 x 30 mm
- Round conductor: 43.7 mm
- Transformer width: 95 mm
- Transformer height: 114.86 mm
- Total depth: 52 mm

### General technical specifications:

- Thermal nominal continuous rated current  $I_{cth}$ : 1.2 x  $I_N$
- Thermal nominal short-time current  $I_{th}$ : 60 x  $I_N$ , 1 sec.
- Maximum operating voltage  $U_m$ : 1.2 kV,  $U_{eff}$
- Isolation test voltage: 6 kV,  $U_{eff}$ , 50 Hz, 1 Min.
- Lightning impulse voltage: 12kV, 1,2/50  $\mu$ s**
- Rated frequency: 50 / 60 Hz
- Applicable technical standards: DIN EN 61869, part 1 + 2

### Order list – secondary 5A

Secondary current		5A				
Primary current	Burden	Accuracy class				
		1	0.5	0.5S	0.2	0.2S
[ A ]	[ VA ]	Art.-no.	Art.-no.	Art.-no.	Art.-no.	Art.-no.
200	1.5		G50-5301	G50-5326	G50-5350	
	2.5	50-0150	50-2150			
250	1.5		G50-5303	G50-5328	G50-5352	
	2.5		50-2151	G50-5329	G50-5353	
	5	50-0151	G50-5305	G50-5330		
300	2.5		G50-5306	G50-5331	G50-5354	G50-5365
	5	50-0152	50-2152	G50-5332	G50-5355	
400	2.5		G50-5308	G50-5333	G50-5356	G50-5366
	5	50-0153	50-2153	G50-5334	G50-5357	
500	2.5		G50-5310	G50-5335	G50-5358	G50-5367
	5	50-0154	50-2154	G50-5336	G50-5359	G50-5368
600	2.5		G50-5312	G50-5337	G50-5360	G50-5369
	5	50-0155	50-2155	G50-5338	G50-5361	G50-5370
750	5	50-0156	50-2156	G50-5339	G50-5362	G50-5371
	10	50-0157	50-2157	G50-5340		
800	5	50-0158	50-2158	G50-5341	G50-5363	
	10	50-0159	50-2159			
1000	5	50-0160	50-2160	G50-5342	G50-5364	
	10	50-0161	50-2161	G50-5343		
1200	5	50-0287	50-2162	G50-5344		
	10	50-0288	50-2163	G50-5345		



## Order list – secondary 5A

Secondary current		5A				
Primary current	Burden	Accuracy class				
		1	0.5	0.5S	0.2	0.2S
[ A ]	[ VA ]	Art.-no.	Art.-no.	Art.-no.	Art.-no.	Art.-no.
1250	5	50-0162	50-2164	G50-5346		
	10	50-0163	50-2165	G50-5347		
1500	5	50-0164	50-2166	G50-5348		
	10	50-0165	50-2167	G50-5349		
1600	5	50-0166	50-2168			
	10	50-0167	50-2169			

## Order list – secondary 1A

Secondary current		1A				
Primary current	Burden	Accuracy class				
		1	0.5	0.5S	0.2	0.2S
[ A ]	[ VA ]	Art.-no.	Art.-no.	Art.-no.	Art.-no.	Art.-no.
200	1.5		G50-7301	G50-7326	G50-7351	
	2.5	50-0170	50-2170	G50-7327	G50-7352	
250	1.5		G50-7303	G50-7328	G50-7353	G50-7373
	2.5		50-2171	G50-7329	G50-7354	
	5	50-0171	G50-7305	G50-7330		
300	2.5		G50-7306	G50-7331	G50-7355	G50-7374
	5	50-0172	50-2172	G50-7332	G50-7356	
400	2.5		G50-7308	G50-7333	G50-7357	G50-7375
	5	50-0153	50-2173	G50-7334	G50-7358	
500	2.5		G50-7310	G50-7335	G50-7359	G50-7376
	5	50-0173	50-2174	G50-7336	G50-7360	G50-7377
600	2.5		G50-7312	G50-7337	G50-7361	G50-7378
	5	50-0175	50-2175	G50-7338	G50-7362	G50-7379
750	5	50-0176	50-2176	G50-7339	G50-7363	G50-7380
	10	50-0177	50-2177	G50-7340		
800	5	50-0178	50-2178	G50-7341	G50-7364	
	10	50-0179	50-2179	G50-7342		
1000	5	50-0180	50-2180	G50-7343	G50-7365	
	10	50-0181	50-2181	G50-7344	G50-7366	
1200	5	50-0289	50-2182	G50-7345	G50-7367	
	10	50-0290	50-2183	G50-7346	G50-7368	
1250	5	50-0182	50-2184	G50-7347	G50-7369	
	10	50-0183	50-2185	G50-7348	G50-7370	
1500	5	50-0184	50-2186	G50-7349	G50-7371	
	10	50-0185	50-2187	G50-7350	G50-7372	
1600	5	50-0186	50-2188			
	10	50-0187	50-2189			

## Accessories

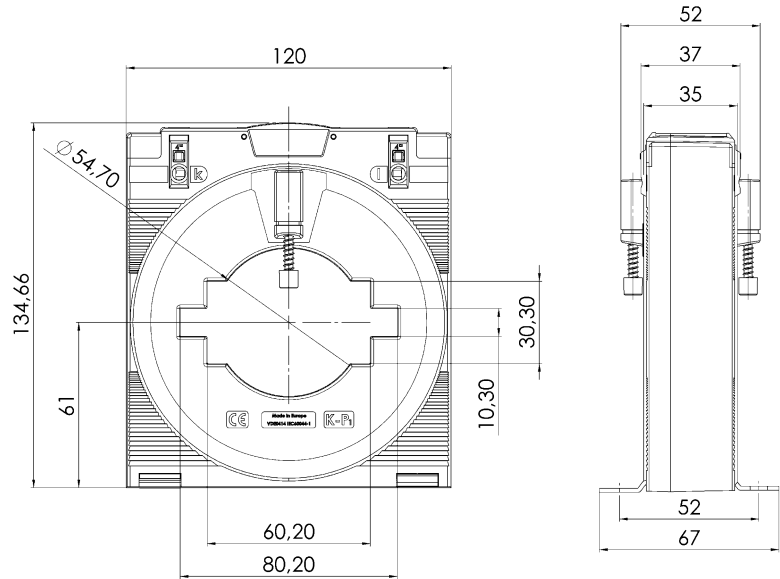
Quick-Fix (Art.-no.: 55021)



Sealed shutter (Art.-no.: 59059)



## CTB 81.35 Plug-in current transformer



### Dimension:

Primary conductor 1: 80 x 10 mm  
 Primary conductor 2: 60 x 30 mm  
 Round conductor: 54.7 mm  
 Transformer width: 120 mm  
 Transformer height: 134.66 mm  
 Total depth: 52 mm

### General technical specifications:

Thermal nominal continuous rated current  $I_{cth}: 1.2 \times I_N$   
 Thermal nominal short-time current  $I_{th}: 60 \times I_N, 1 \text{ sec.}$   
 Maximum operating voltage  $U_m: 1.2 \text{ kV}, U_{eff}$   
 Isolation test voltage: 6 kV,  $U_{eff}, 50 \text{ Hz}, 1 \text{ Min.}$   
**Lightning impulse voltage: 12kV, 1,2/50  $\mu\text{s}$**   
 Rated frequency: 50 / 60 Hz  
 Applicable technical standards: DIN EN 61869, part 1 + 2

### Order list – secondary 5A

Secondary current		5A				
Primary current	Burden	Accuracy class				
		1	0.5	0.5S	0.2	0.2S
[ A ]	[ VA ]	Art.-no.	Art.-no.	Art.-no.	Art.-no.	Art.-no.
400	2.5		50-2190	G50-5430	G50-5457	
	5	50-0190				
500	2.5		50-2191	G50-5431	G50-5458	G50-5482
	5	50-0191	G50-5403			
600	2.5		G50-5404	G50-5432	G50-5459	G50-5483
	5	50-0192	50-2192	G50-5433	G50-5460	G50-5484
750	2.5		G50-5406	G50-5434	G50-5461	G50-5485
	5	50-0193	50-2193	G50-5435	G50-5462	G50-5486
	10	50-0194	50-2194			
800	2.5		G50-5409	G50-5436	G50-5463	G50-5487
	5	50-0195	50-2195	G50-5437	G50-5464	G50-5488
	10	50-0196	50-2196	G50-5438		
1000	5	50-0197	50-2197	G50-5439	G50-5465	G50-5489
	10	50-0198	50-2198	G50-5440	G50-5466	
	15		G50-5414	G50-5441		
1200	5	50-0283	50-2199	G50-5442	G50-5467	G50-5490
	10	50-0284	50-2200	G50-5443	G50-5468	
	15		G50-5417	G50-5444	G50-5469	
1250	5	50-0199	50-2201	G50-5445	G50-5470	G50-5491
	10	50-0200	50-2202	G50-5446	G50-5471	
	15		G50-5420	G50-5447	G50-5472	

## Order list – secondary 5A

Secondary current		5A				
Primary current	Burden	Accuracy class				
		1	0.5	0.5S	0.2	0.2S
[ A ]	[ VA ]	Art.-no.	Art.-no.	Art.-no.	Art.-no.	Art.-no.
1500	5	50-0201	50-2203	G50-5448	G50-5473	G50-5492
	10	50-0202	50-2204	G50-5449	G50-5474	
	15		G50-5423	G50-5450	G50-5475	
1600	5	50-0203	50-2205	G50-5451	G50-5476	G50-5493
	10	50-0204	50-2206	G50-5452	G50-5477	G50-5494
	15		G50-5426	G50-5453	G50-5478	
2000	5		G50-5427	G50-5454	G50-5479	G50-5495
	10	50-0205	50-2207	G50-5455	G50-5480	G50-5496
	15	50-0206	50-2208	G50-5456	G50-5481	

## Order list – secondary 1A

Secondary current		1A				
Primary current	Burden	Accuracy class				
		1	0.5	0.5S	0.2	0.2S
[ A ]	[ VA ]	Art.-no.	Art.-no.	Art.-no.	Art.-no.	Art.-no.
400	2.5		50-2210	G50-7430	G50-7459	
	5	50-0210				
500	2.5		G50-7402	G50-7431	G50-7460	G50-7484
	5	50-0211	50-2211	G50-7432		
600	2.5		G50-7404	G50-7433	G50-7461	G50-7485
	5	50-0212	50-2212	G50-7434	G50-7462	G50-7486
750	2.5		G50-7406	G50-7435	G50-7463	G50-7487
	5	50-0213	50-2213	G50-7436	G50-7464	G50-7488
	10	50-0214	50-2214	G50-7437		
800	2.5		G50-7409	G50-7438	G50-7465	G50-7489
	5	50-0215	50-2215	G50-7439	G50-7466	G50-7490
	10	50-0216	50-2216	G50-7440		
1000	5	50-0217	50-2217	G50-7441	G50-7467	G50-7491
	10	50-0218	50-2218	G50-7442	G50-7468	
	15		G50-7414	G50-7443		
1200	5	50-0285	50-2219	G50-7444	G50-7469	G50-7492
	10	50-0286	50-2220	G50-7445	G50-7470	G50-7493
	15		G50-7417	G50-7446	G50-7471	
1250	5	50-0219	50-2221	G50-7447	G50-7472	G50-7494
	10	50-0220	50-2222	G50-7448	G50-7473	G50-7495
	15		G50-7420	G50-7449	G50-7474	
1500	5	50-0221	50-2223	G50-7450	G50-7475	G50-7496
	10	50-0222	50-2224	G50-7451	G50-7476	G50-7497
	15		G50-7423	G50-7452	G50-7477	
1600	5	50-0223	50-2225	G50-7453	G50-7478	G50-7498
	10	50-0224	50-2226	G50-7454	G50-7479	G50-7499
	15		G50-7426	G50-7455	G50-7480	
2000	5		G50-7427	G50-7456	G50-7481	G50-7500
	10	50-0225	50-2227	G50-7457	G50-7482	G50-7501
	15	50-0226	50-2228	G50-7458	G50-7483	

### Accessories

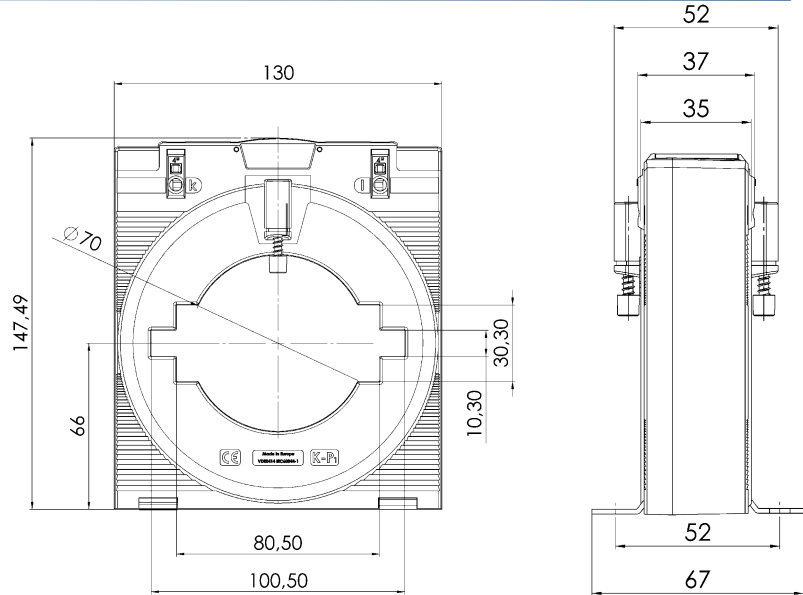
Quick-Fix (Art.-no.: 55021)



Sealed shutter  
(Art.-no.: 59059)



## CTB 101.35 Plug-in current transformer



### Dimension:

Primary conductor 1: 100 x 10 mm  
 Primary conductor 2: 80 x 30 mm  
 Round conductor: 70 mm  
 Transformer width: 130 mm  
 Transformer height: 147.49 mm  
 Total depth: 52 mm

### General technical specifications:

Thermal nominal continuous rated current  $I_{cth}$ :  $1.2 \times I_N$   
 Thermal nominal short-time current  $I_{th}$ :  $60 \times I_N$ , 1 sec.  
 Maximum operating voltage  $U_m$ : 1.2 kV,  $U_{eff}$   
 Isolation test voltage: 6 kV,  $U_{eff}$ , 50 Hz, 1 Min.

**Lightning impulse voltage: 12kV, 1,2/50  $\mu$ s**

Rated frequency: 50 / 60 Hz

Applicable technical standards: DIN EN 61869, part 1 + 2

### Order list – secondary 5A

Secondary current		5A				
Primary current	Burden	Accuracy class				
		1	0.5	0.5S	0.2	0.2S
[ A ]	[ VA ]	Art.-no.	Art.-no.	Art.-no.	Art.-no.	Art.-no.
400	2.5		50-2230			
	5	50-0230				
500	2.5		G50-5602			
	5	50-0231	50-2231			
600	2.5		G50-5603	G50-5629		
	5		50-2232			
	10	50-0232				
750	2.5		G50-5605	G50-5630		
	5	50-0233	50-2233	G50-5631		
	10	50-0234	50-2234			
800	2.5		G50-5608	G50-5632		
	5	50-0235	50-2235	G50-5633		
	10	50-0236	50-2236			
1000	5	50-0237	50-2237	G50-5634	G50-5651	
	10	50-0238	50-2238	G50-5635		
	15		G50-5613			
1200	5	50-0279	50-2239	G50-5636	G50-5652	G50-5665
	10	50-0280	50-2240	G50-5637	G50-5653	
	15		G50-5616	G50-5638		
1250	5	50-0239	50-2241	G50-5639	G50-5654	G50-5666
	10	50-0240	50-2242	G50-5640	G50-5655	
	15		G50-5619	G50-5641		
1500	5		G50-5620	G50-5642	G50-5656	G50-5667
	10	50-0241	50-2243	G50-5643	G50-5657	
	15	50-0242	50-2244	G50-5644	G50-5658	

### MBS AG

Eisbachstraße 51 · 74429 Sulzbach-Laufen  
 Germany

Telefon: +49 7976 9851-0 · Telefax: +49 7976 9851-90  
 E-Mail: info@mbs-ag.com · Web: www.mbs-ag.com

## Order list – secondary 5A

Secondary current		5A				
Primary current	Burden	Accuracy class				
		1	0.5	0.5S	0.2	0.2S
[ A ]	[ VA ]	Art.-no.	Art.-no.	Art.-no.	Art.-no.	Art.-no.
1600	5		G50-5623	G50-5645	G50-5659	G50-5668
	10	50-0243	50-2245	G50-5646	G50-5660	G50-5669
	15	50-0244	50-2246	G50-5647	G50-5661	
2000	5		G50-5626	G50-5648	G50-5662	G50-5670
	10	50-0245	50-2247	G50-5649	G50-5663	G50-5671
	15	50-0246	50-2248	G50-5650	G50-5664	
2500	10	50-0247	50-2249			
	15	50-0248	50-2250			

## Order list – secondary 1A

Secondary current		1A				
Primary current	Burden	Accuracy class				
		1	0.5	0.5S	0.2	0.2S
[ A ]	[ VA ]	Art.-no.	Art.-no.	Art.-no.	Art.-no.	Art.-no.
400	2.5		50-2260			
	5	50-0260				
500	2.5		G50-7602	G50-7629		
	5	50-0261	50-2261			
600	2.5		G50-7603	G50-7630		
	5		50-2262	G50-7631		
	10	50-0262				
750	2.5		G50-7605	G50-7632		
	5	50-0263	50-2263	G50-7633		
	10	50-0264	50-2264	G50-7634		
800	2.5		G50-7608	G50-7635	G50-7656	
	5	50-0265	50-2265	G50-7636		
	10	50-0266	50-2266	G50-7637		
1000	5	50-0267	50-2267	G50-7638	G50-7657	G50-7671
	10	50-0268	50-2268	G50-7639		
	15		G50-7613	G50-7640		
1200	5	50-0281	50-2269	G50-7641	G50-7658	G50-7672
	10	50-0282	50-2270	G50-7642	G50-7659	
	15		G50-7616	G50-7643		
1250	5	50-0269	50-2271	G50-7644	G50-7660	G50-7673
	10	50-0270	50-2272	G50-7645	G50-7661	
	15		G50-7619	G50-7646		
1500	5		G50-7620	G50-7647	G50-7662	G50-7674
	10	50-0271	50-2273	G50-7648	G50-7663	
	15	50-0272	50-2274	G50-7649	G50-7664	
1600	5		G50-7623	G50-7650	G50-7665	G50-7675
	10	50-0273	50-2275	G50-7651	G50-7666	G50-7676
	15	50-0274	50-2276	G50-7652	G50-7667	
2000	5		G50-7626	G50-7653	G50-7668	G50-7677
	10	50-0275	50-2277	G50-7654	G50-7669	G50-7678
	15	50-0276	50-2278	G50-7655	G50-7670	
2500	10	50-0277	50-2279			
	15	50-0278	50-2280			

## Accessories

Quick-Fix (Art.-no.: 55021)



Sealed shutter (Art.-no.: 59059)

